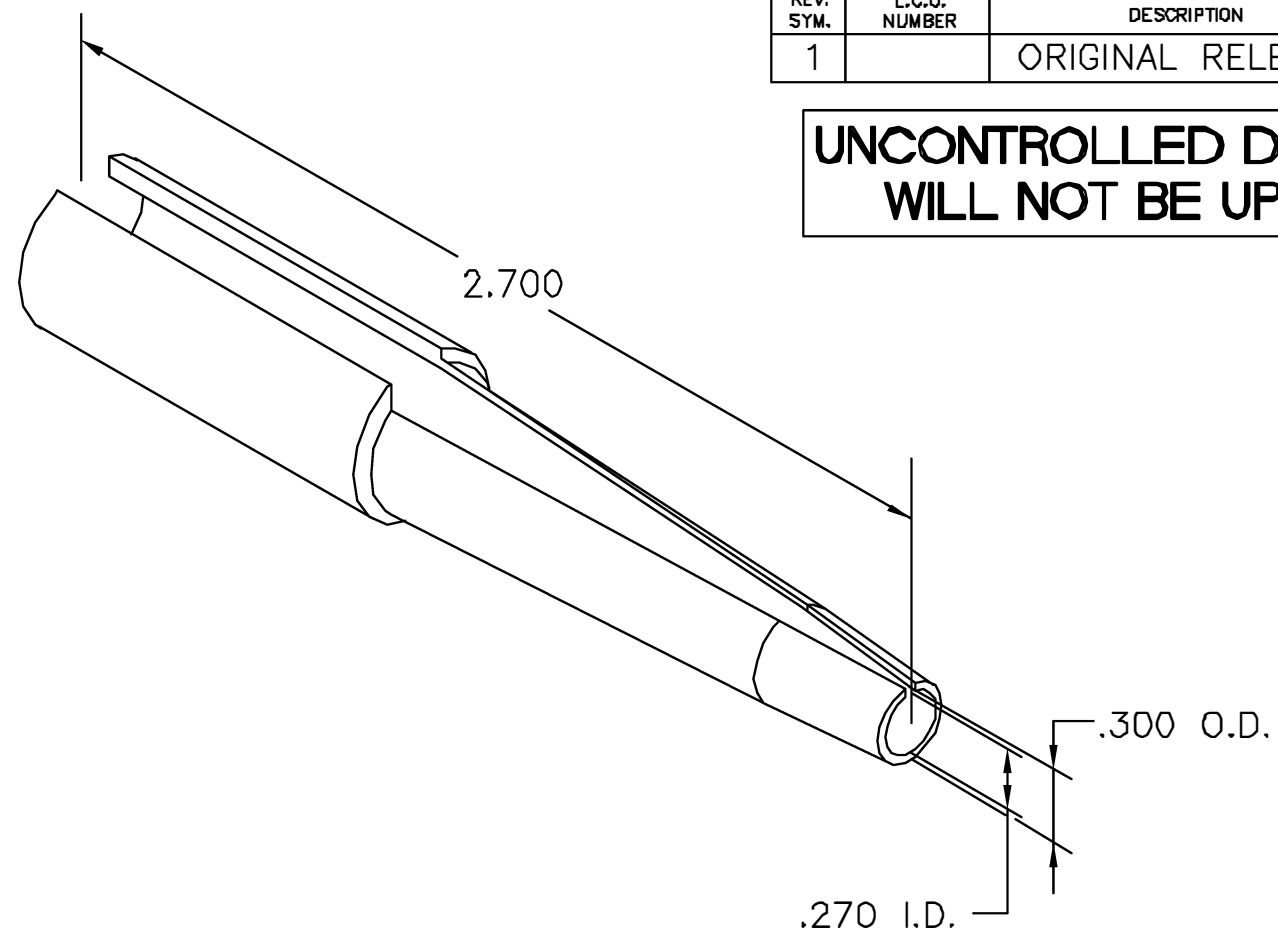



REVISIONS				
REV. SYM.	E.C.O. NUMBER	DESCRIPTION	BY DATE	APP'D DATE
1		ORIGINAL RELEASE	JS 11-28-89	DH 11-89

**UNCONTROLLED DOCUMENT  
WILL NOT BE UPDATED**



MATERIAL	ITEM	PART NO.	QTY.	DESCRIPTION/REMARKS
HEAT TREAT	DRN.	JS	DATE 11-28-89	 DANIELS MANUFACTURING CORP. ORLANDO, FLORIDA CAGE 11851
	CHK'D.	DH	DATE 11-28-89	
FINISH	APP'D.	AAM	DATE 11-28-89	
	APP'D.		DATE	
TITLE				REMOVAL TOOL ENVELOPE DRAWING
WHERE USED:				
SIZE		SCALE	CAD P/N	SHEET OF
A		NTS	CET-C8-ENV	1 1
POSTING			P/N	REV.
			CET-C8-ENV	1

**RESTRICTED & CONFIDENTIAL**  
 CONFIDENTIAL PROPERTY OF DANIELS MANUFACTURING CORP. NOT TO BE DISCLOSED TO OTHERS, REPRODUCED OR USED FOR ANY OTHER PURPOSE EXCEPT AS AUTHORIZED IN WRITING BY DANIELS MANUFACTURING. MUST BE RETURNED TO DANIELS MANUFACTURING CORP. ON COMPLETION OF ORDER OR OTHER PURPOSES FOR WHICH LENT.

DO NOT SCALE DRAWING